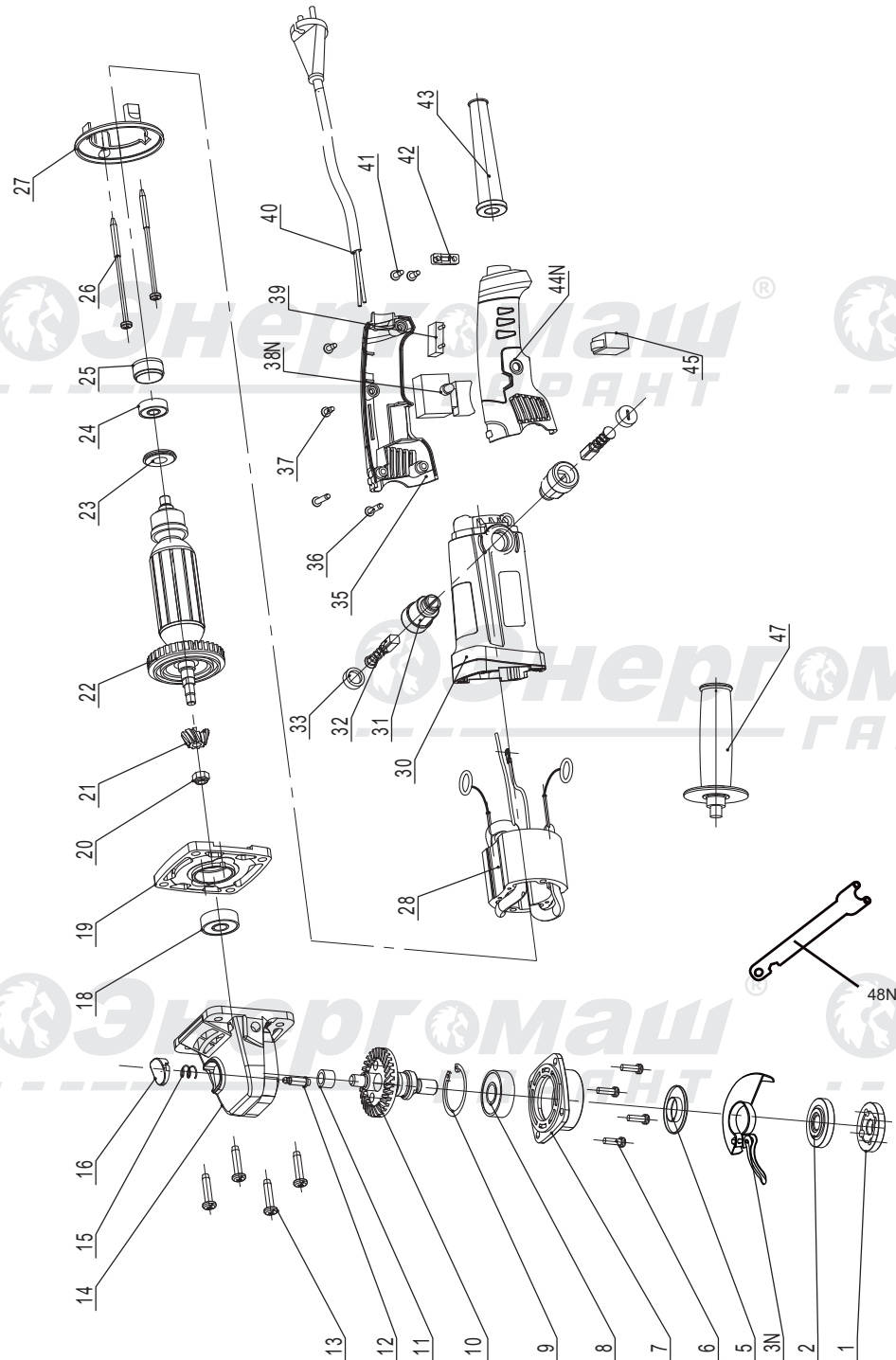


УШМ1-125ДРР



NO.	DESCRIPTION	NO.	DESCRIPTION
1	UPPER FLANGE	25	BEARING GUARD
2	LOWER FLANGE	26	TAPPING SCREW ST4X75
3N	WHEEL GUARD	27	WIND FENDER
5	DUSTPROOF COVER	28	STATOR
6	SCREW M4X13	30	MOTOR HOUSING
7	FRONT COVER	31	BRUSH HOLDER
8	BEARING 6201	32	BRUSH SUPPORT
9	CIRCLIPS FOR HOLE Ø32	33	BRUSH CAP
10	BIG GEAR & OUTPUT SHAFT	35	SWITCH RIGHT HANDLE
11	NEEDLE BEARING HK0808	36	TAPPING SCREW ST4X22
12	SELF-LOCK PIN	37	TAPPING SCREW ST4X14
13	TAPPING SCREW ST5X22	38N	SWITCH
14	FRONT HOUSING	39	CAPACITANCE
15	SELF-LOCK SPRING	40	CABLE & PLUG
16	SELF-LOCK CAP	41	TAPPING SCREW ST4X14
18	BEARING 629	42	CABLE CLAMP
19	MIDDLE COVER	43	CORD GUARD
20	NUT M6	44N	SWITCH LEFT HANDLE
21	SMALL GEAR	45	ADJUSTABLE SPEED SWITCH
22	ROTOR	47	SIDE HANDLE
23	DUST-PROOF CIRCLE	48N	SPANNER
24	BEARING 607		

USM1-125DRR-EX-20230213